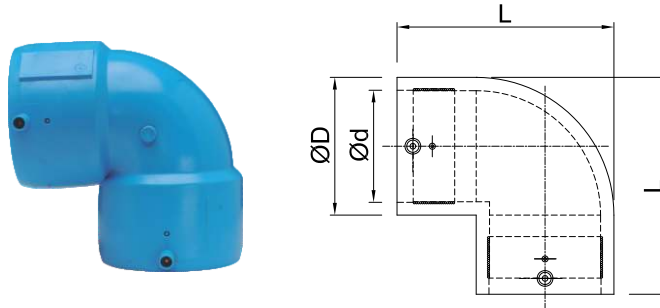


## Electrofusion Elbow 90° for Water - SDR11 (ISO S5)



d	PRODUCT CODE	SP	g	D	d	L	F-T	C-T
	PE80 Blue 4mm Pin Terminal							
20	201060101010202	168	35	33	20	70	26	4
25	201060201010202	120	35	35	25	71	26	4
32	201060301010202	96	48	44	32	75	45	4
40	201060401010202	70	116	53	40	92	52	7
63	201060601010202	21	290	82	63	125	70	7
90	201060801010202	8	655	113	90	172	140	15
110	201060901020202	4	806	137	110	209	160	15
125	201061001010202	4	1529	155	127	230	200	15

Note : SP = Standard Pack Quantity, g = Weight in Grams, F-T = Fusion Time in Seconds, C-T = Cooling Time in Minutes

Kimplas Electrofusion Elbows, manufactured in PE80 (Blue) grade are Standard SDR 11 (PN 12.5) rated. For exact recommendations on compatibility for welding with SDR 9 through SDR 21 or PN 6 through PN 12.5 pipes, refer Kimplas Technical Specifications Manual.

### Standards:

- PE Pipe Compatibility : ISO:4427 - Part 2, EN:12201- Part 2, IS:4984, DIN : 8074
- Complies with ISO : 4427 - Part 3 & EN : 12201 - Part 3

### Common Applications:

- ✓ Make a 90° turn on mains and distribution pipes in a distribution network
- ✓ Turning pipe through 90° in narrow trenches, in areas difficult to access and House Service Connections
- ✓ Pipe Connections with spigot end fittings, pipe stub ends etc

### Installation :

Joint preparation must be done as specified in the installation instructions. Pipe outside surface must be scraped to remove oxidized layer. Before fusing, pipe ends and inside of the fittings must be cleaned to remove dirt and contamination. Complete Installation Manual may be downloaded.

### Advantages :

- Standard Operating Voltage - 40 V
- Same fusion time for various PN rated pipes
- Higher penetration of pipe in the fittings enables proper alignment
- Optimal fusion and cold zone for a strong and sturdy joint
- Auto Temperature compensation for ambient conditions -5°C to +40°C
- Clearance-Fit for ease of installation
- Pop-Up fusion indicators to indicate fusion process performance
- Permanent Batch Indicator, Fusion Time, Cooling Time, Raw Material Grade and SDR marking
- Each fitting individually packed in PE bag to protect against contamination and oxidation
- Each fitting with water-proof bar code to automatically feed fusion data to the Control-box for fusion process