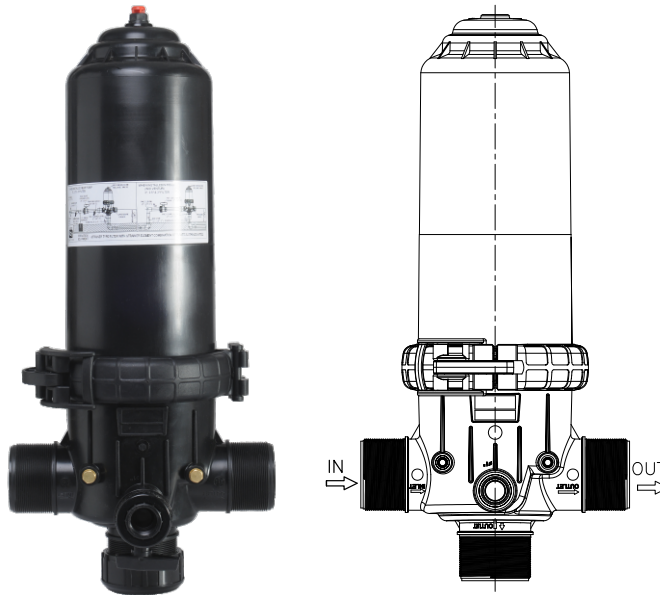


DISC FILTER

MODEL- DFQ- 940S SIZE - 3" x 40m³ / hr
MODEL- DFQ- 950 SIZE - 3" x 50m³ / hr

B-20, MIDC, Ambad, Nashik - 422010,
Maharashtra, INDIA.
Tel : +91 253 6622701/2
Fax: +91 253 6604710
sales@kimplaspiping.net
www.kimplaspiping.net



1-inlet and 2- Outlets enable angular or inline installation (BSP Threaded, IS: 554*/ISO:7-1)



Robust Quick Action Toggle (QAT) Clamp for easy opening and closing of shell for cleaning. Clamp made up of Engineering Plastic for long life



Drain valve for draining out of impurities without opening filter. Can also be used as fertilizer injection point

Turbo Helix Ring for self cleaning of element by creating whirling movement of water segregating sediments and creating turbulence



Vacuum breaker prevents dripper clogging due to soil suck back by drippers & buckling of tilter element/ body caused by Vacuum phenomenon



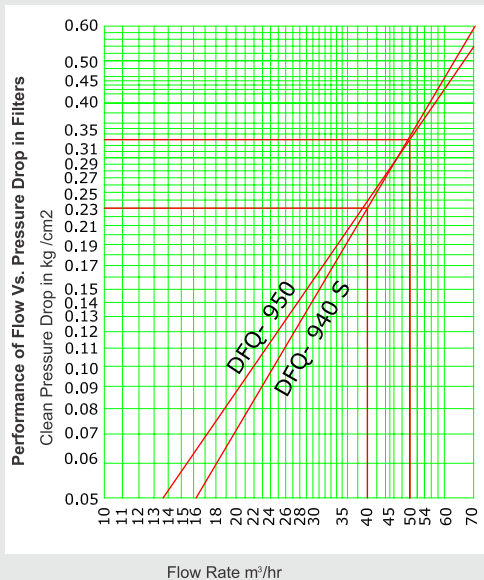
Two pressure measuring ports, one Vacuum breaker port and one drain cum Fertilizer injection ports; all provided with metal insert



- Stacked disc structure provides three dimensional filtration
- Ensures high particle retention and allows longer interval between cleaning; coarse particles retained on element surface and fine particles retained in grooves
- Installation is possible in any position, both vertical and horizontal, inlet-outlet connections possible in both inline and angular orientation
- Impurities retained on element surface can be flushed out with drain valve
- Corrosion-proof and durable polypropylene body construction
- All plastic and metal parts are resistant to common agricultural chemicals fertilizers and flushing agents used with the system.

KIMPLAS Disc Filters DFQ-940S / 950

Clean Pressure Drop Curves



Technical Data

| Parameters | Disc Filter Model | |
|---|---------------------------------|-------------|
| | DFQ 940S | DFQ 950 |
| Nominal Size (Inlet/Outlet Connection) (mm) | Ø 3" (80 mm) | Ø3" (80 mm) |
| Recommended Flow Rate(m3/hr) | 40 | 50** |
| Nominal Operating Temp. & Pressure | 4(Kg/cm2) Max at 30° C | |
| Nominal Operating Pressure(Kg/cm2) | 1 to 4 (Kg/cm2) | |
| Length of element (mm) | 315 | 500 |
| Filtration Area (cm2) | 1060 | 1720 |
| Dimensions of filter assembly(mm) | | |
| Height | 550 | 730 |
| Width | 332 | 332 |
| Breadth | 330 | 330 |
| Size of apertures | 0.13 mm(130 Microns / 120 mesh) | |

* Use battery of filters (filter bank) to achieve high flow rates.

** NPT (MPT) Threading or Victaulic Coupling on special request.

APPLICATION

Fine filtration of irrigation of water in Micro-irrigation systems (130 microns) for agriculture, horticulture, sericulture, vegetables, sugar cane etc. as well as for general industrial and domestic applications

INSTALLATION

For proper installation of kimplas filter complete installation manual may be downloaded



IS:12785:1994



CML-7714781



For details about our other products and specifications please refer to the corporate website

Disclaimer: Kimplas reserve the right to modify product without prior notice, as part of its continual improvement program. Whilst every effort is taken to ensure the accuracy of information contained in the data Sheet, Kimplas accepts no liability for matters arising as a result of errors or omissions.