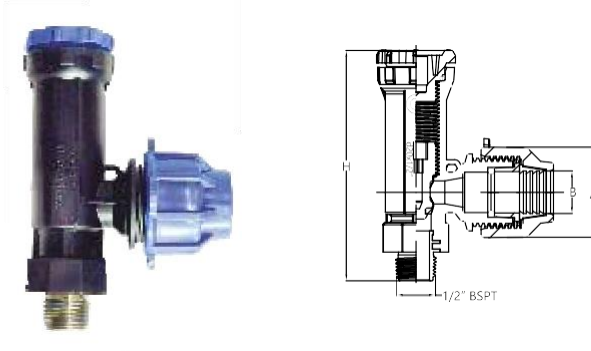


POLYPROPYLENE (PP) FERRULE.(SS / BRASS)



Size	Threading	Code	SP	Connection	A	B	H
1/2"	15	PPFERRULECM20X050	80	BSPT	46	22	130

- Material of Construction: Polypropylene
- PN 16 Rated
- Metal Insert: SS304 / Brass