

PRODUCT OVERVIEW

PVC Hybrid Butterfly Valves are designed for efficient flow regulation in micro-irrigation, drip, and sprinkler systems. Manufactured using high-grade PVC-U with reinforced internal components, these valves provide long service life, corrosion resistance, and smooth operation under agricultural field conditions.

Suitable for water supply lines, filtration units, mainlines, and sub-mains, these valves are lightweight yet robust, making them ideal for both manual and automated irrigation networks.

KEY FEATURES & BENEFITS

✓ Hybrid Construction

High-quality PVC body combined with reinforced disc and shaft for enhanced durability.

✓ Corrosion & Chemical Resistant

Ideal for fertilizers, treated water, and harsh outdoor environments.

✓ Smooth Quarter-Turn Operation

Quick open/close control with minimal torque.

✓ Leak-Proof Performance

High grade rubber seal which can withstand temp. upto 75°C.

✓ Lightweight & Easy Installation

Reduces labour time and installation costs.

✓ Low Maintenance

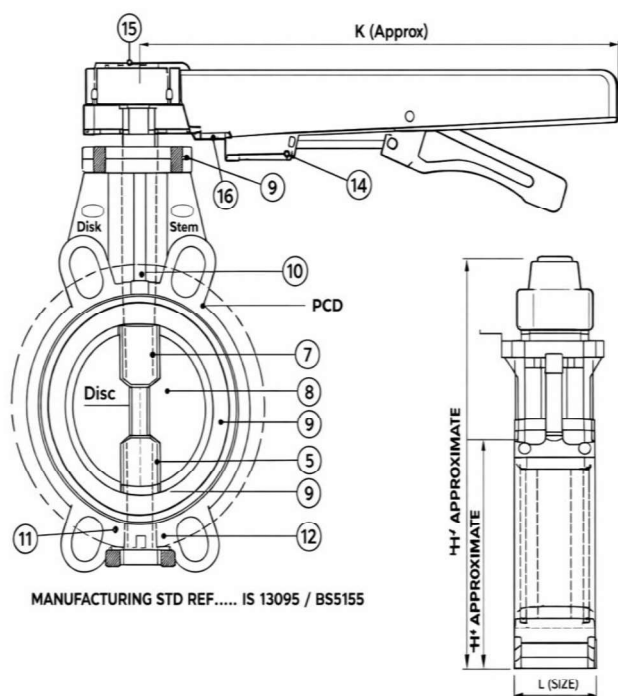
No rusting, painting, or frequent servicing required.

Product Code	Size	Disc	Pack Qty.	Box Qty.
PVCBUTERFLYSSD50NB	50 MM (2")	SS 304/SS 316	2 nos.	20 nos.
PVCBUTERFLYSSD65NB	65 MM (2.5")	SS 304/SS 316	2 nos.	20 nos.
PVCBUTERFLYSSD80NB	80 MM (3")	SS 304/SS 316	2 nos.	20 nos.

Product Code	Size	Disc	Pack Qty.	Box Qty.
PVCBUTRFLYPVCD50NB	50 MM (2")	PVC Disc	2 nos.	20 nos.
PVCBUTRFLYPVCD80NB	65 MM (2.5")	PVC Disc	2 nos.	20 nos.
PVCBUTRFLYPVCD65NB	80 MM (3")	PVC Disc	2 nos.	20 nos.

Technical Specifications

Parameter	Specification
Manufacturing Standard	IS 13095 / BS 5155
Hydrostatic Testing Standard	IS 13095 / API 598
End Connection	Flanged
Pressure rating	PN 6 / PN 10
Closed Type	Tight Shut Off
Temperature Rating	-5 °C to 65 °C
Flange Standard Conformity	ANSI 125 & 150 Class, BS 10 Table D&E, IS 6392 PN 6, PN 10



S. No.	Name of Part	Material
1	Body	PVC-U
2	Disc	SS304/SS316/uPVC
3	Top Shaft	SS (min. 12% Cr)
4	Bottom Shaft	SS (min. 12% Cr)
5	Rubber Sleeve	EPDM
6	Handle	PP+20%/30% GF+UV 2%
7	Lever	PP+20%/30% GF+UV 2%
8	Lever Pin	SS
9	Top Bush	PVC-U
10	Top Shaft Bush	POM/PBT
11	Bottom Shaft Bush	POM/PBT
12	O Ring	HNBR
13	Bottom Cover	PP+UV 2%
14	Spring	SS
15	Handle Logo Cap	PP+UV 2%
16	Lever Lock Plate	SS + Electroplating

Size	Bore	L	H	H1	PCD	K
2"	50	46	65	235	120.8	230
2.5"	65	46	80	255	137.5	230
3"	80	46	85	270	155.5	230

All dimensions are in mm

HYDRO TESTING		
PN Rating	Body	Disc
PN 6	10 kg/cm ²	6 kg/cm ²
PN 10	16 kg/cm ²	10 kg/cm ²

Water temp. between 20°C to 30°C

