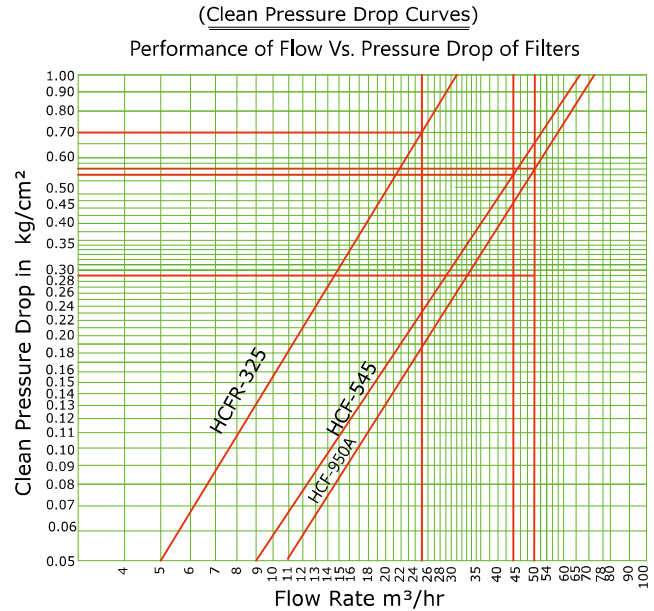
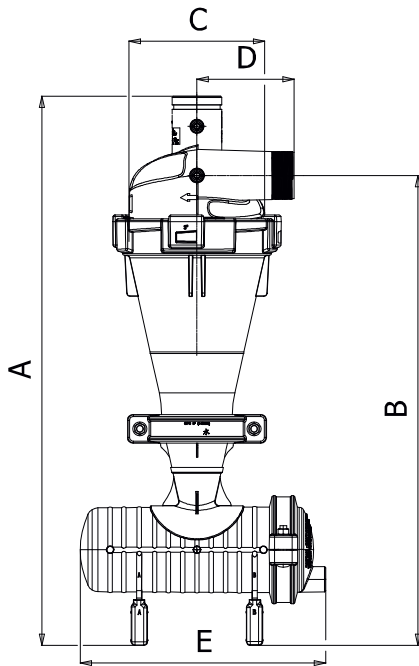


NYQLONE Hydro Cyclone Filter



Technical Details:

Parameters	Hydrocyclone Filter		
Model Type	HCFR-325	HCF-545	HCF-950A
Product code : A	HCF200AMTOEFLANGE	HCF250AMTOEFLANGE	HCF300AMTOEFLANGE
Nominal Size (Inlet/Outlet Connection) (mm)	Ø 2" (50 mm)	Ø 2.5" (65 mm)	Ø 3" (80 mm)
Recommended Flow Rate(m3/hr)	15-25	25-45	35-50
Dimensions of filter assembly(mm)			
A	836	850	1003
B	726	671	858
C	207	207	249
D	170	175	177
E	447	447	447
Weight approximate kg	8.5	8.7	9.9
Operating Pressure Range (Kg/cm ²)	1 to 4 Kg/cm ² , 58 psi		
Safe Max. Pressure Drop	0.8 kg/cm ²		

Feature

- Special sacrificial cone for long life of filter
- Easy clamping for collector chamber
- Easy for servicing of existing running system
- 2 pressure gauge ports & 1 drain port
- Easy removal of stand by opening drain valve
- various outlet connections options available (male, female QPC, Flanged)
- Comes with pre-installed inlet flange

Material of Construction:

No.	Part	Material
1	Cone, Manifold	Reinforced Polypropylene
2	O-ring, Gasket	NBR
3	Sacrificial cone	Specialized Polymer
4	Nut & bolts	Zn Plated Steel
5	Bleed tank ,QPC clamp	Reinforced Polypropylene
6	Drain Valve	PVC
7	LUG	Polypropylene

