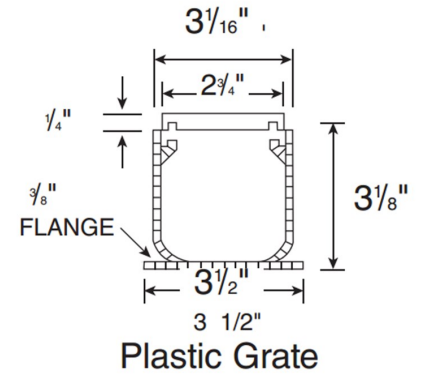
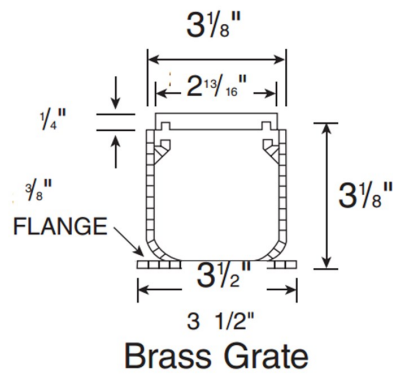
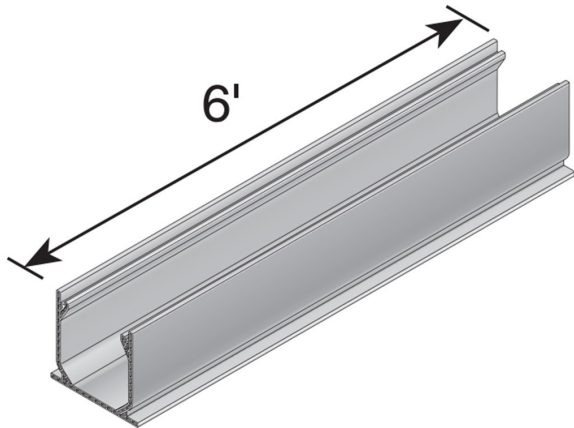


6 FT. MINI CHANNEL DRAIN

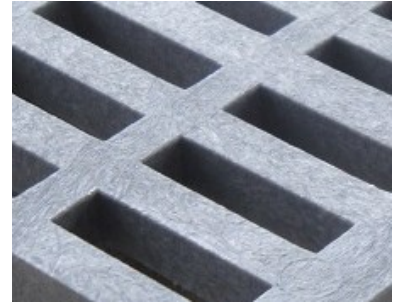
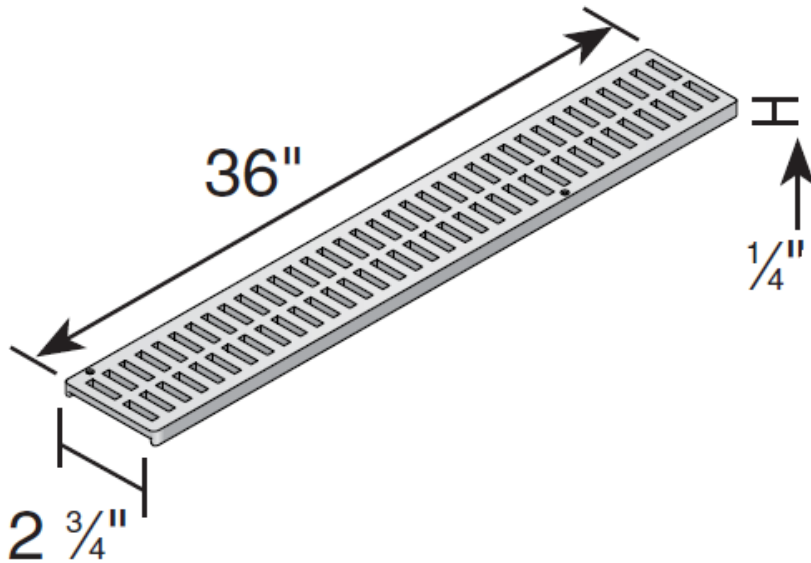


Material: UV Protected PVC

Colors: Grey (500)

Fits: Mini Channel Grates: White (540), Gray (541), Green (542), Black (543), Sand (544), Brick Red (551)

3 FT. MINI CHANNEL GRATE



Grate Opening: 1/4" x 7/8"

Material: UV Protected High Density Polyethylene (HDPE)

Colors: White (540), Gray (541), Green (542), Black (543), Sand (544), Brick Red (551)

Weight: 0.66 lbs

Fits: Use with Mini Channel Drain

Grate Openings: 9.90 in² open space per foot

Will accommodate 30.29 gallons per minute per foot with 1/2" of head.

Load Recommendation Guide



Class B

- Loads of 61-175 psi.
- Recommended for medium-duty pneumatic tire traffic, autos and light trucks at speeds less than 20 m.p.h.

Note: Some installations may require a concrete collar to meet load rating. Loads are based on encasing product in concrete. Product must be installed using NDS instructions.

ADA Compliance

NDS provides a wide selection of grates that are compliant with the Americans with Disabilities Act. The ADA Accessibility Guidelines For Buildings and Facilities Section 4.5.4 specifies that ground and floor grates "shall have spaces no greater than 1/2 in (13 mm) wide in one direction."

We are pleased to provide grates that comply with these requirements, so that no individual need be limited from accessing the area safely and confidently.

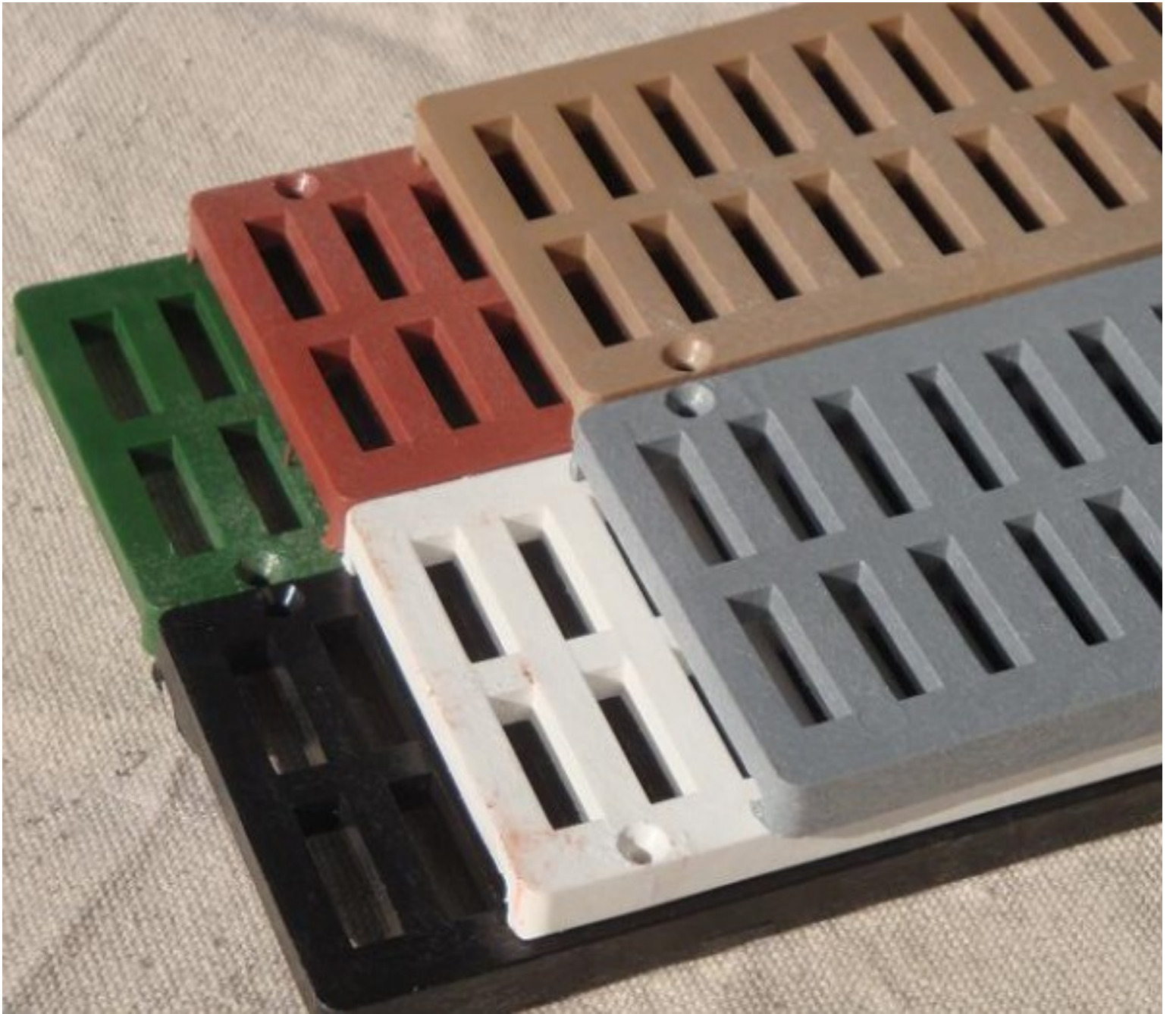
To see if a grate is ADA compliant, please check the description of the product in our NDS Drainage Catalog: products that meet these requirements are marked "ADA compliant."

Like to find out more about ADA compliance and NDS? Send us your question and we'd be happy to help.

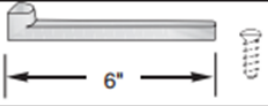





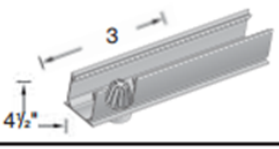
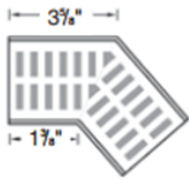
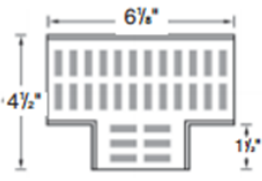



ADA Compliant/Heel-proof





MINI CHANNEL ACCESSORIES

| | Part No. | Description | Color |
|---|----------------------|--|----------------------------|
|  | 529 230 | Stainless Steel Screws, FH #4 x 5/8", 6" Channel Installation Stake | Steel Gray |
|  | 532 | 2" Sch. 40 Hub to 3" S&D Spigot Adapter | White |
|  | 533 | 2" Sch. 40 Hub to 4" S&D Spigot Adapter | White |
|  | 546 | Spigot End Outlet for 2" Sch. 40 Pipe Fitting | Gray |
|  | 547 | 3" Channel End Cap | Gray |
|  | 548 | 3" Channel Coupling | Gray |
|  | 550 | 3' Long Channel with 2" Sch. 40 Spigot Bottom Outlet | Gray |
|  | 5300 5303 | Fabricated 45° Elbow with Grate | Gray Sand |
|  | 5370 5372 5374 | Fabricated Tee with Grate | Gray Black Brick Red |
|  | 5380 5383 | Fabricated 90° Elbow with Grate | Gray Sand |