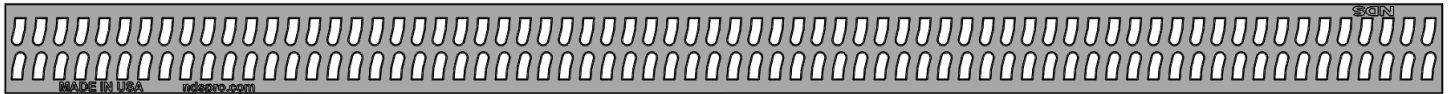
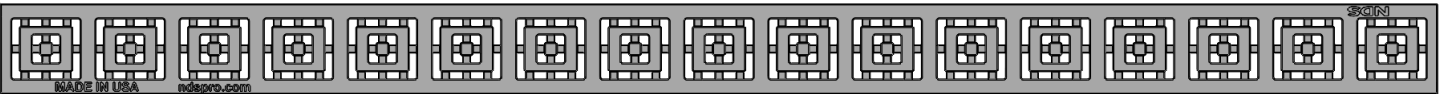


NDS SLIM CHANNEL GRATES

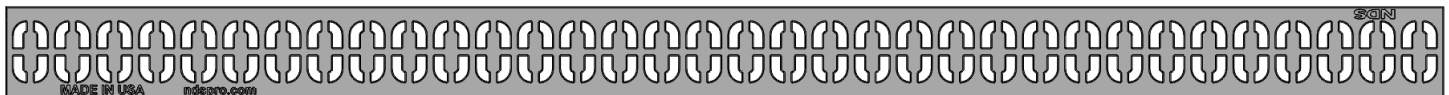
Material: Polypropylene
 Colors: White, Gray & Sand come with UV inhibitors
 Weight: 0.36 lbs per grate
 Fits: NDS Slim Channel Drains
 Size: Grates are 3' long x 2 1/4" wide
 Overlapping lip is 1/8" thick
 Load rating: Pedestrian loads only



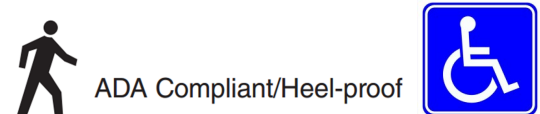
Slotted Grate Opening Size: 0.248"
 • White—#9241 Open area: 7.01 sq. in / linear foot
 • Sand—#9242 Flow Capacity: 21.44 GPM / linear foot
 • Gray—#9243



Square Deco Grate Opening Size: 0.246"
 • White—#9251 Open area: 5.73 sq. in / linear foot
 • Sand—#9252 Flow Capacity: 17.53 GPM / linear foot
 • Gray—#9253



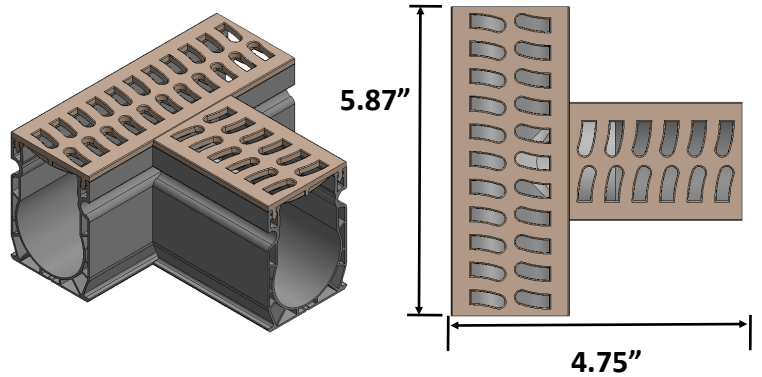
Chain Deco Grate Opening Size: 0.233"
 • White—#9261 Open area: 7.09 sq. in / linear foot
 • Sand—#9262 Flow Capacity: 21.69 GPM / linear foot
 • Gray—#9263



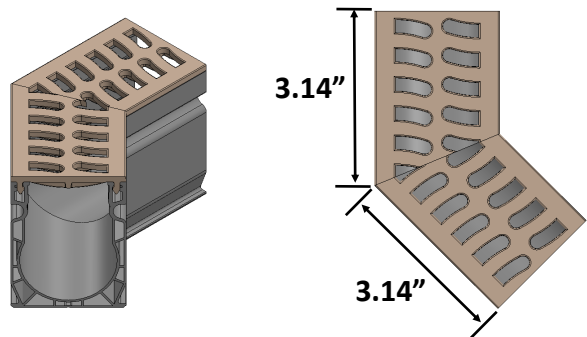
SLIM CHANNEL FABRICATED FITTINGS

Channel Material: Black PVC with UV inhibitors
 Grate Material: Polypropylene with UV inhibitors

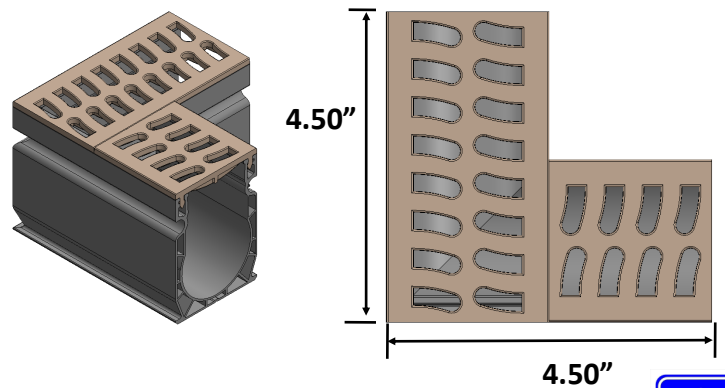
Part #: 9371 (White), 9372 (Gray), 9373 (Sand)
 Weight: 0.41 lbs



Part #: 9301 (White), 9302 (Gray), 9303 (Sand)
 Weight: 0.29 lbs



Part #: 9381 (White), 9382 (Gray), 9383 (Sand)
 Weight: 0.35 lbs



PEDESTRIAN LOAD ONLY

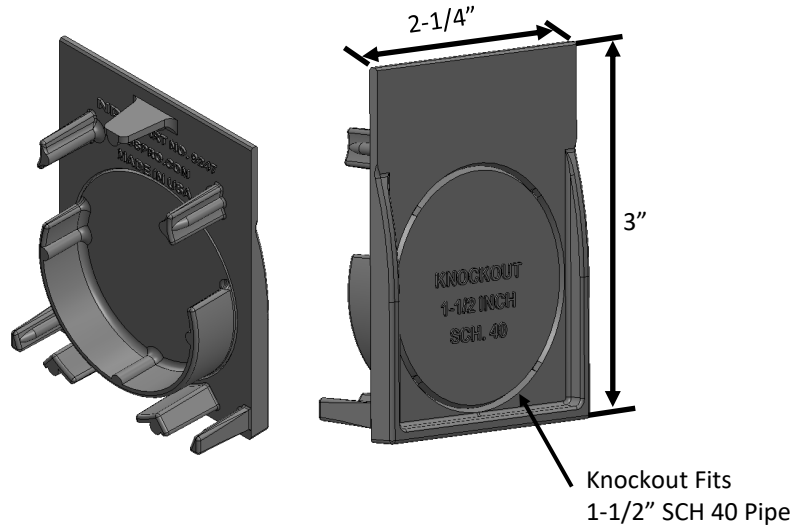


ADA Compliant/Heel-proof

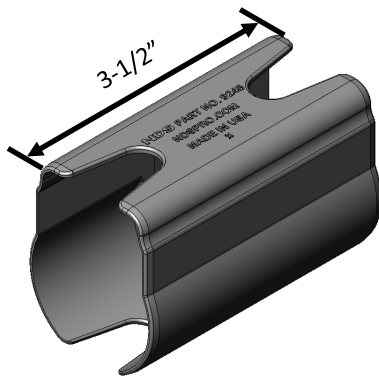


NDS SLIM CHANNEL ACCESSORIES

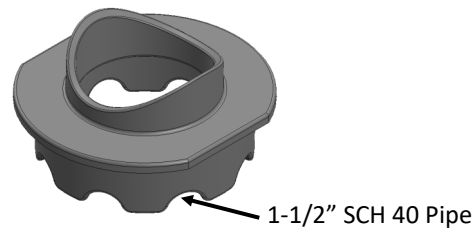
Part #: 9247—End Cap / End Outlet
Material: PVC
Color: Black with UV inhibitors
Weight: 0.04 lbs / linear foot
Fits: 1-1/2" Sch 40 pipe



Part #: 9248—Coupling
Material: PVC
Color: Black with UV inhibitors
Weight: 0.08 lbs



Part #: 9250—Bottom Outlet
Material: PVC
Color: Black with UV inhibitors
Weight: 0.04 lbs
Fits: 1-1/2" Schedule 40 pipe



Part #: 9270—Anchor Clip
Material: PVC
Color: Black with UV inhibitors
Weight: 0.04 lb
Fits: #3 rebar, 80d nails, or landscape nails

