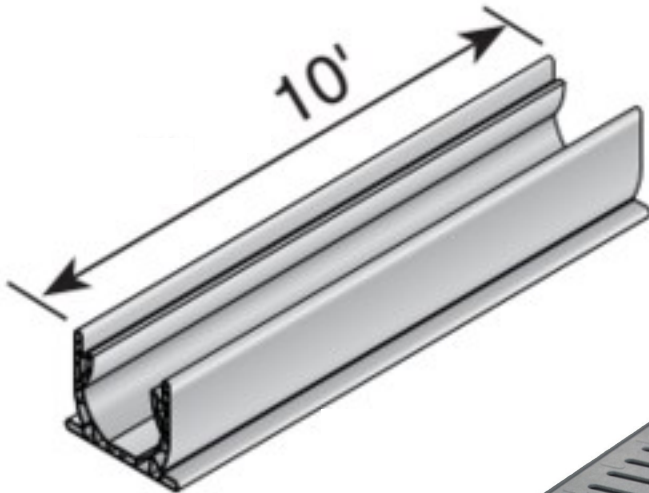
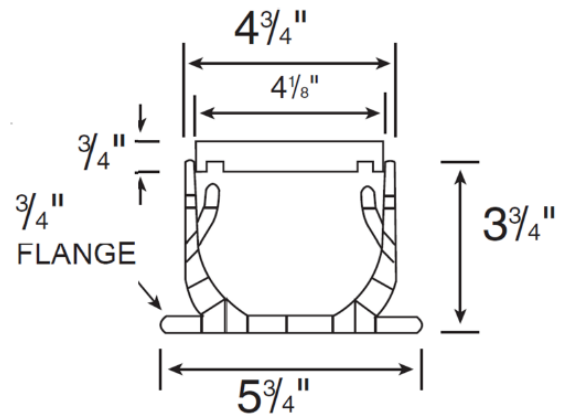


10' Spee-D Channel With Plastic Grate



Grate opening:
1/4" x 3-1/8"



Part #: 400-10WH
Includes: 1 x Part #400 Channel
5 x #241 Grates
20 x #229 Screws

Channel Material: PVC
Grate Material: HDPE
Color: Channel Gray
Grate: Gray

UV Inhibitors

Weight: 17.5 lbs

Open Surface Area: 16.76 sq. in. per ft.

Flow Capacity:

51.3 GPM per ft. with 0.5" head

72.6 GPM per ft. with 1" head

Screw: 4 steel screw per grate
(#8 x 1" Philips flat head)



Class B

- Loads of 61-175 psi.
- Recommended for medium-duty pneumatic tire traffic, autos and light trucks at speeds less than 20 m.p.h.

Note: Some installations may require a concrete collar to meet load rating. Loads are based on encasing product in concrete. Product must be installed using NDS instructions.

ADA Compliance

NDS provides a wide selection of grates that are compliant with the Americans with Disabilities Act. The ADA Accessibility Guidelines For Buildings and Facilities Section 4.5.4 specifies that ground and floor grates "shall have spaces no greater than 1/2 in (13 mm) wide in one direction."

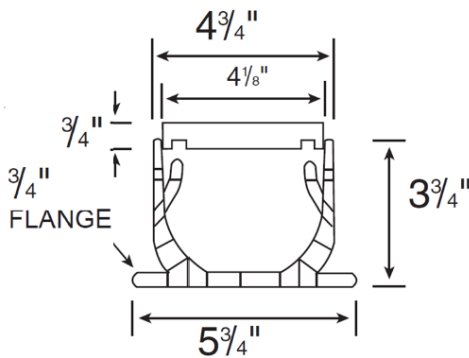
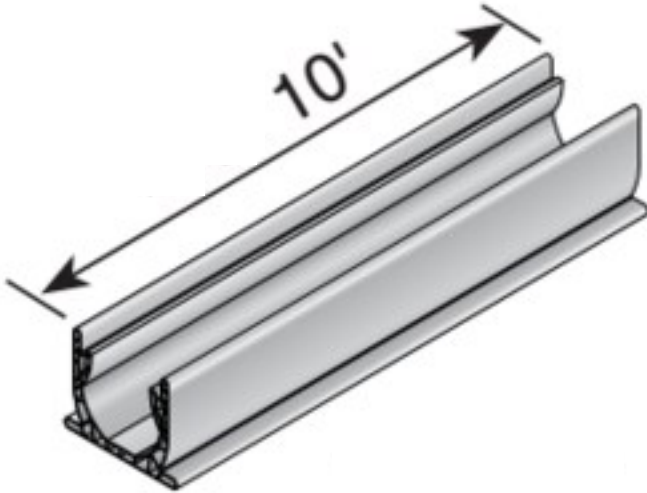
We are pleased to provide grates that comply with these requirements, so that no individual need be limited from accessing the area safely and confidently.

To see if a grate is ADA compliant, please check the description of the product in our NDS Drainage Catalog: products that meet these requirements are marked "ADA compliant."

Like to find out more about ADA compliance and NDS? Send us your question and we'd be happy to help.



10' Spee-D Channel with Galvanized Metal Grate



SPECIFICATION:

SPEE-D CHANNEL DRAIN - 4-3/4" OUTER WIDTH, 4-1/8" INNER WIDTH, 10 FT LONG NEUTRAL CHANNELS

THE CHANNEL IS MANUFACTURED FROM PVC, MADE IN THE U.S.A. AND CONNECTED WITH COUPLINGS (PART #248-SOLD SEPARATELY). THE #254 GRATES ARE MANUFACTURED FROM GALVANIZED STEEL AND PREFASTENED TO THE CHANNEL WITH THE REQUIRED #229 SCREWS. THE CHANNEL DRAIN SYSTEM CAN BE INSTALLED FLAT OR ALIGNED WITH A SLOPED GRADE AT THE SURFACE TO INTERCEPT SHEET FLOW DRAINAGE AND CONVEY IT TO AN APPROPRIATE OUTLET. ADA COMPLIANT.

OTHER ACCESSORIES SUCH AS OUTLETS CAN BE CONFIGURED AS BOTTOM OR END OUTLETS (SEE ACCESSORIES PAGE—SOLD SEPARATELY)

PART #: 400-10MTL

CONTAINS: (1) - #400 CHANNEL (10-FT CHANNEL)
(5) - 2' #254 GALVANIZED STEEL GRATE
(20) - #229 SCREWS

CHANNEL MATERIAL: PVC

GRATE MATERIAL: GALVANIZED STEEL

COLOR: CHANNEL GRAY
GRATE: GALVANIZED STEEL
(UV INHIBITORS)

WEIGHT: 20.5 LBS

GRATE OPENING: 0.45" X 2.85"

OPEN SURFACE AREA: 15.49 SQ. IN. PER FT.

FLOW CAPACITY:

- 47 GPM WITH 0.5" HEAD
- 67 GPM WITH 1" HEAD

SCREW: 4 STAINLESS STEEL SCREWS PER GRATE

FH #8 X 1" (PHILIPS FLAT HEAD)



Class B

- Loads of 61-175 psi.
- Recommended for medium-duty pneumatic tire traffic, autos and light trucks at speeds less than 20 m.p.h.

Note: Some installations may require a concrete collar to meet load rating. Loads are based on encasing product in concrete. Product must be installed using NDS instructions.

ADA Compliance

NDS provides a wide selection of grates that are compliant with the Americans with Disabilities Act. The ADA Accessibility Guidelines For Buildings and Facilities Section 4.5.4 specifies that ground and floor grates "shall have spaces no greater than 1/2 in (13 mm) wide in one direction."

We are pleased to provide grates that comply with these requirements, so that no individual need be limited from accessing the area safely and confidently.

To see if a grate is ADA compliant, please check the description of the product in our NDS Drainage Catalog: products that meet these requirements are marked "ADA compliant."

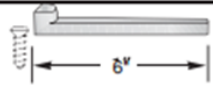








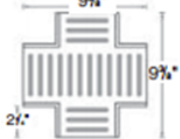

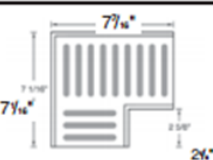
Like to find out more about ADA compliance and NDS? Send us your question and we'd be happy to help.



Rev 3/04/24



SPEE-D® CHANNEL ACCESSORIES

	Part No.	Description	Color
	229 230	Stainless Steel Screws, FH #8 x 1", 6" Channel Installation Stake	Steel Gray
	234	2' long fabricated 3" & 4" Spigot Bottom Outlet with Strainer. Fits 3" or 4" Sewer and Drain Fittings. Grates not included.	Gray
	245	Channel Strainer Coupling	Gray
	246	2" Schedule 40 SPT End Outlet	Gray
	247	Channel End Cap	Gray
	248	Channel Coupling	Gray
	249	3" & 4" Offset End Outlet (connects to 3" S&D Pipe, 4" S&D Fittings)	Gray
	2301	Fabricated 45° Elbow with grate	Gray
	2351	7" Fabricated Cross and Grate 4" Bottom outlet with grate	Gray
	2361	Fabricated Cross and Grate	Gray
	2371	Fabricated Tee with Grate	Gray
	2381	Fabricated 90° Elbow with grate	Gray

NOTES:

- Only the Gray #241 Grate is used in all Pre-Fabricated Accessories as shown.
- All Plastic Accessories are Made in the U.S.A.

Rev. 3/4/24

