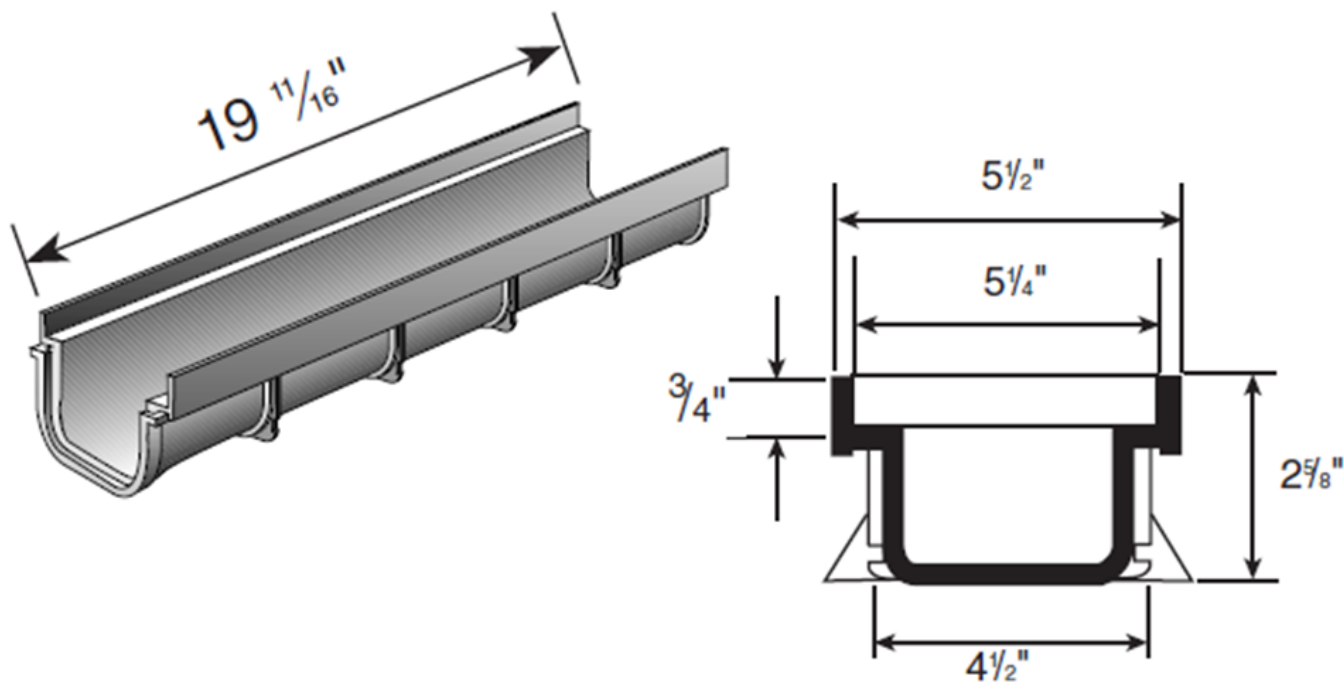




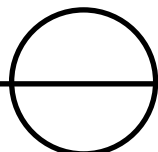
TECHNICAL SPECIFICATION



PART NUMBER	SIZE	MATERIAL	WEIGHT
820	5-1/4" X 2-5/8" X 19-11/16"	HIGH IMPACT PVC	1.35 LBS

SPECIFICATION:

5" WIDE SHALLOW PROFILE CHANNEL DRAIN WITH MECHANICAL INTERLOCKING JOINTS.



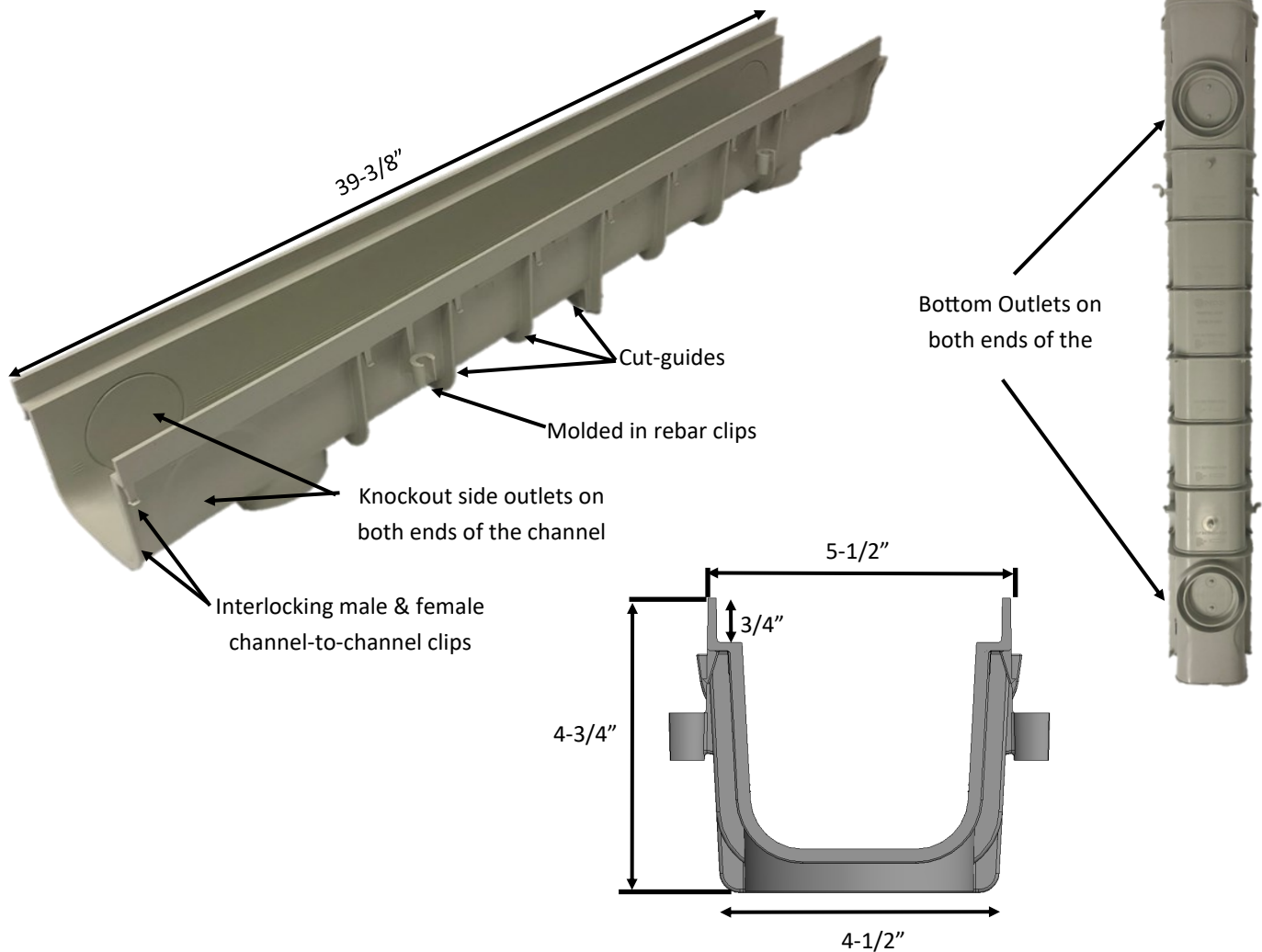
5" PRO SERIES SHALLOW PROFILE CHANNEL DRAIN

HIGH IMPACT PVC

FOR PRODUCT ASSISTANCE, CONTACT NDS TECHNICAL SERVICE AT techservice@ndspro.com, DESIGN ASSISTANCE- designworx@ndspro.com
851 N. HARVARD AVE. LINDSAY, CA 93247 WWW.NDSPRO.COM 1-800-726-1994



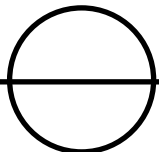
TECHNICAL SPECIFICATION



PART NUMBER	SIZE	MATERIAL	WEIGHT
800	5-1/2" X 4-3/4" X 39-3/8"	POLYPROPYLENE W/ UV INHIBITORS	3.03 LBS

SPECIFICATION:

5" WIDE DEEP PROFILE CHANNEL DRAIN WITH MECHANICAL INTERLOCKING JOINTS.
 INTEGRATED KNOCKOUT BOTTOM OUTLETS THAT FIT 3" AND 4" SEWER AND DRAIN FITTINGS
 SIDE OUTLET KNOCKOUTS THAT FIT 3" SEWER AND DRAIN PIPE
 MOLDED REBAR CLIPS TO FIT #4 (1/2") REBAR



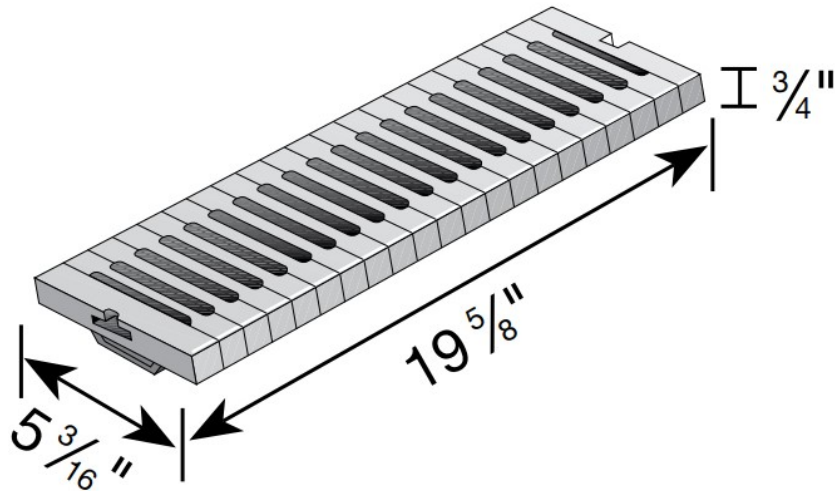
5" PRO SERIES DEEP PROFILE CHANNEL DRAIN

POLYPROPYLENE

FOR PRODUCT ASSISTANCE, CONTACT NDS TECHNICAL SERVICE AT techservice@ndspro.com, DESIGN ASSISTANCE- designworx@ndspro.com
 851 N. HARVARD AVE. LINDSAY, CA 93247 WWW.NDSPRO.COM 1-800-726-1994 OPTION '3'



TECHNICAL SPECIFICATION



PART NUMBER	SIZE	SLOT WIDTH	LOAD CLASS	OPEN AREA FLOW RATE W/ 1/2" HEAD	WEIGHT	ADA	HEEL PROOF
828(LIGHT GRAY)	5-3/16" X 19-5/8" X 3/4"	3/8" X 1-1/4"	C	15.92 IN ² / LINEAR FOOT 48.7 GPM / LF	1.0LBS	YES	NO

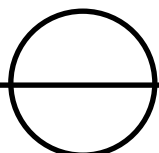
SPECIFICATION:

MATERIAL: HIGH IMPACT GLASS-REINFORCED NYLON

LOAD CLASS C—RECOMMENDED FOR HEAVY-DUTY PNEUMATIC TIRE FORKLIFTS AND TRACTOR-TRAILERS AT SPEEDS LESS THAN 20 MPH. H-20 RATED

REQUIRES #829 STAINLESS STEEL SCREWS (4 PER GRATE)

FITS 5" PRO SERIES CHANNEL



5" PRO SERIES GRATE

FOR PRODUCT ASSISTANCE, CONTACT NDS TECHNICAL SERVICE AT techservice@ndspro.com, DESIGN ASSISTANCE- designworx@ndspro.com
851 N. HARVARD AVE. LINDSAY, CA 93247 WWW.NDSPRO.COM 1-800-726-1994