

ELECTROFUSION COUPLER

For Gas/Water-SDR 11 (ISO S5)



kimplas electrofusion couplers are manufactured in PE 80 (Yellow) & PE 100 (Black) material and are of SDR 11 rated. Kimplas Electrofusion fittings are suitable for permanently connecting to PE 80 and PE 100 pipes, both in straight as well as in coil form.

SPECIFICATION TABLE

d	Product Code	SP	Weight (gm)	D (mm)	L (mm)	FT	CT
20	C20BKB	250	50	31	70	22	4
25	C25BKB	175	60	36	70	28	4
32	C32BKB	150	65	44	75	42	4
40	C40BKB	125	95	53	75	52	7
50	C50BKB	60	150	65	90	55	7
63	C63BKB	35	200	81	100	70	7
75	C75BKB	35	203	91	100	80	7
90	C90BKB	14	454	113	133	140	15
110	C110BKB	11	739	138	152	160	15
125	C125BKB	8	1150	155	167	200	15
125	C125BKF	7	885	152	167	220	15

BKB - PE 100 Black - 4mm Pin

BKA PE 100 Black - 4.7mm pin

BK8A - PE 80 Black - 4.7mm pin

BK8B - PE 80 Black - 4mm Pin

YEA - PE 80 Yellow - 4.7mm Pin

SP=Standard Pack Quantity, FT=Fusion Time in Seconds, CT=Cooling Time in Minutes, SP and Weight are given for reference only

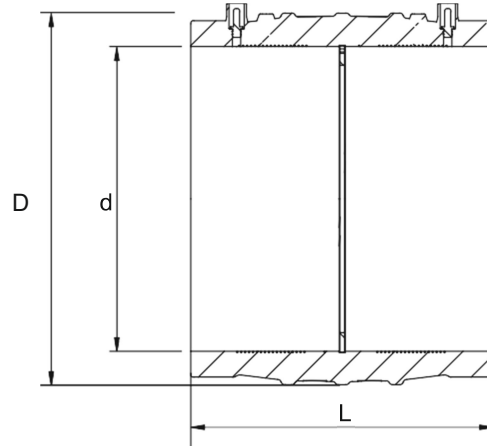
Note: Every effort has been made to ensure the information in this brochure is correct at the date of issue. Kimplas operates a policy of continual product improvement and range extension, hence reserves the right to modify product specifications, without prior information, in line with market requirements.

TRUSTLENE

A NORMA Group Company-
Kimplas Piping Systems Private Limited

ELECTROFUSION COUPLER - HIGHER SIZE

For Gas/Water-SDR 11 (ISO S5)



Kimplas Electrofusion Couplers are manufactured in PE 80 (Yellow) & PE 100 (Black) material and are of SDR 11 rated. For exact recommendations on compatibility, for welding with SDR 9 through SDR 21 or PN 6 through PN 16 pipe, refer Kimplas Technical Specifications Manual. Kimplas Electrofusion fittings are suitable for permanently connecting to PE 80 and PE 100 pipes.

SPECIFICATION TABLE

d	Product Code	SP	Minimum Weight (gm)	D (mm)	L (mm)	FT	CT
140	C140BKB	7	1060	170	165	240	20
160	C160BKB	12	1440	190	180	380	20
180	C180BKB	9	1850	215	190	400	20
200	C200BKN	6	2160	235	183	480	30
225	C225BKBN	4	3470	265	232	690	30
250	C250BKBN	1	4170	290	244	840	40
280	C280BKBN	2	5520	330	258	650	40
315	C315BKBN	1	7410	370	274	840	40

BKB - PE 100 Black - 4mm Pin BK8A - PE 80 Black - 4.7mm pin
 BKA PE 100 Black - 4.7mm pin BK8B - PE 80 Black - 4mm Pin

SP=Standard Pack Quantity, FT=Fusion Time in Seconds, CT=Cooling Time in Minutes, SP and Weight are given for reference only

Note: Every effort has been made to ensure the information in this brochure is correct at the date of issue. Kimplas operates a policy of continual product improvement and range extension, hence reserves the right to modify product specifications, without prior information, in line with market requirements.

TRUSTLENE

A NORMA Group Company-
 Kimplas Piping Systems Private Limited

STANDARDS

- Complies with EN1555- Part 3 for Gas, EN12201- Part 3 for Water. AS/NZS 4129 for Gas & Water GIS-PL2-Part 4 for Gas
- PE Pipe Compatibility : ISO 4437, EN:1555-2, EN:12201-2, IS:4984, DIN: 8074.

COMMON APPLICATIONS

- Pipe to pipe connections during laying.
- Pipe connections in areas difficult to access, in narrow trenches.
- Repairing localised damages on pipe, connections of transition fittings, pipe stub ends etc.
- Pipe connections with spigot end fittings.
- Reinforcement of squeezed or kinked portions of permanently laid (immobile) pipes.

INSTALLATION

Joint Preparation must be done as specified in the installation instructions. Pipe outside surface must be scraped to remove oxidized layer. Before fusing, pipe ends and inside of fittings must be cleaned to remove dirt and contamination. Complete installation Manual may be downloaded.

ADVANTAGES

- Standard operating voltage - 40 V.
- Same fusion time for various SDR and PN rated pipes.
- Higher penetration of pipe in the fittings enables proper alignment.
- Optimal fusion and cold zone for a strong and sturdy joint.
- Auto Temperature compensation for ambient conditions -5°C to $+40^{\circ}\text{C}$.
- Couplers are with removable stoppers
- Pop-Up fusion indicators to indicate fusion process performance.
- Permanent Batch indicator, Fusion Time, Cooling Time, Raw Material Type and SDR marking.
- Each fitting individually packed in PE bag to protect against contamination and oxidation.
- Each fitting with water-proof bar code to automatically feed fusion data to the control-box for fusion process.

Contact Us

Kimplas Piping Systems Private Limited

B-20, MIDC , Ambad, Nashik- 422010 | India | www.kimplaspiping.net



TRUSTLENE

A NORMA Group Company-
Kimplas Piping Systems Private Limited