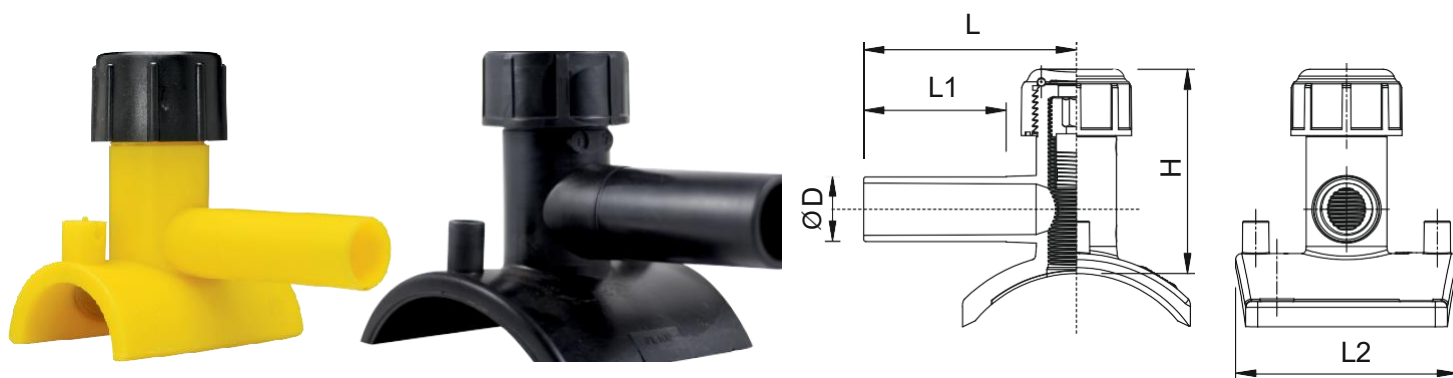


ELECTROFUSION TAPPING TEE

For Gas/Water-SDR 11 (ISO S5)



Kimplas Electrofusion Tapping Tees, manufactured in PE100 (Black) grade are SDR 11 rated (PN 16). Kimplas Electrofusion Tapping Tees are suitable for Tapping House Service Connections on MDPE 80 and PE 100 pipes, both in straight as well as coil form.

SPECIFICATION TABLE

dxD	Product Code	SP	Weight (gm)	H(mm)	L (mm)	L1 (mm)	L2 (mm)	FT	CT
d32x20mm	TT32X20BK8B	40	97	64	90	65	95	30	4
d40x20mm	TT40X20BK8B	30	137	87	110	65	106	30	4
d40x25mm	TT40X25BK8B	25	200	87	110	65	106	30	4
d40x32mm	TT40X32BK8B	30	260	87	110	65	106	30	4
d50x20mm	TT50X20BK8B	30	134	78	98	65	113	30	4
d50x25mm	TT50X25BK8B	30	153	78	98	65	113	30	4
d50x32mm	TT50X32BK8B	25	139	78	98	65	113	30	4
d63-2"-75x32mm	TT63-2"-75X32BK8B	24	271	128	106	71	110	70	4
d90-3"x32mm	TT90-3"X32BK8B	20	281	123	106	71	110	80	4
d110-4"-140x32mm	TT110-4"-140X32BK8B	20	358	117	106	71	110	80	4
d160-8"-213x32mm	TT160-8"-213X32BK8B	20	292	123	106	71	110	80	4
d225-250x32mm	TT225-250X32BK8B	18	359	112	130	71	110	80	4

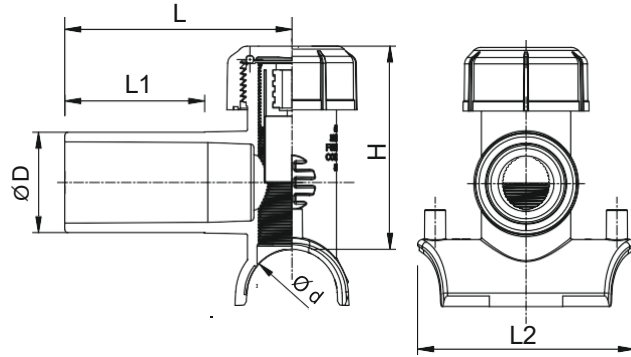
BK8B - PE 80 Black - 4mm Pin
YEA - PE 80 Yellow - 4.7mm Pin

SP=Standard Pack Quantity, FT=Fusion Time in Seconds, CT=Cooling Time in Minutes, SP and Weight are given for reference only

Note: Every effort has been made to ensure the information in this brochure is correct at the date of issue. Kimplas operates a policy of continual product improvement and range extension, hence reserves the right to modify product specifications, without prior information, in line with market requirements.

EF HIGH VOLUME TAPPING TEE

For Gas/Water-SDR 11 (ISO S5)



Kimplas Electrofusion Tapping Tees, manufactured in PE100 (Black) grade are SDR 11 rated (PN 16). Kimplas Electrofusion Tapping Tees are suitable for Tapping House Service Connections on MDPE 80 and PE 100 pipes, both in straight as well as coil form.

SPECIFICATION TABLE

dxD	Product Code	SP	Weight (gm)	H (mm)	L (mm)	L1 (mm)	L2 (mm)	FT	CT
d63-2"x63mm	TT63-2"X63BK8B	10	602	168	143	88	136	70	4
d75x63mm	TT75X63BK8B	10	623	168	143	88	136	70	4
d90-3"x63mm	TT90-3"X63BK8B	10	630	181	146	90	136	70	4
d110-4"-125x63mm	TT110-4"-125X63BK8B	10	662	182	146	90	136	70	4
d180-8"-200x63mm	TT180T200X63BK8B	10	674	148	146	88	136	70	4

BK8A - PE 80 Black - 4.7mm Pin

YEA - PE 80 Yellow - 4.7mm Pin

BK8B - PE 80 Black - 4mm Pin

SP=Standard Pack Quantity, FT=Fusion Time in Seconds, CT=Cooling Time in Minutes, SP and Weight are given for reference only

Note: Every effort has been made to ensure the information in this brochure is correct at the date of issue. Kimplas operates a policy of continual product improvement and range extension, hence reserves the right to modify product specifications, without prior information, in line with market requirements.

STANDARDS

- PE Pipe Compatibility : IS:14885, ISO:4437, EN:1555-2, EN: 12201-2, ISO:4427, IS: 4984, DIN:8074.
- Complies with EN1555- Part 3, GIS-PL2-Part 4 for Gas, EN12201- Part 3 for water.
AS/NZS 4129:2008 for Gas & Water.

COMMON APPLICATIONS

- Tapping from charged or uncharged network for House Service Connections.
- Branch connections.
- Tapping connections in areas difficult to access in narrow trenches.

INSTALLATION

Joint preparation must be done as specified in the installation instructions. Pipe outside surface must be scraped to remove oxidized layer. Before fusing, scraped pipe- surface and matt area of the fittings must be cleaned to remove dirt and contamination. Complete Installation Manual may be downloaded.

ADVANTAGES

- Standard Operating Voltage -40V.
- Same fusion time for various SDR and PN rated pipes.
- Auto Temperature compensation for ambient conditions -5°C to + 40°C.
- Top load takes care of TT base radius matching (alignment) with pipe OD even in case of ovality of coiled pipes.
- Optimal fusion and cold zone for a sturdy joint.
- Pop-Up fusion indicators to indicate fusion process performance.
- Each Tapping Tee have brass cutter for cutting through mains pipe.
- Cutter retains the pipe coupon positively, never allows to slip into pipe.
- Long spigot outlets to perform second fusion when required.
- Permanent Batch Indicator, Fusion Time, Cooling Time, Raw Material Type and SDR marking.
- Each fitting individually packed to protect against contamination and oxidation.
- Each fitting with water-proof bar code to automatically feed fusion data to the Control-box for fusion process.

Contact Us

Kimplas Piping Systems Private Limited

B-20, MIDC , Ambad, Nashik- 422010 | India | www.kimplaspiping.net

